

“DA” Series Floor Drains

Features & Benefits

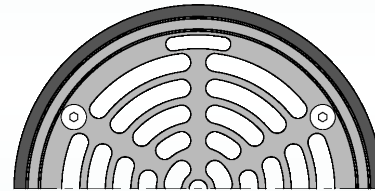
“Dual Adjust” top allows completely flush & even installation with post-pour adjustment.

Eliminates the need to “box out” before concrete pour.

Protects finished top against traffic damage during construction.

Available in 5” & 6” round tops.

In stock now!



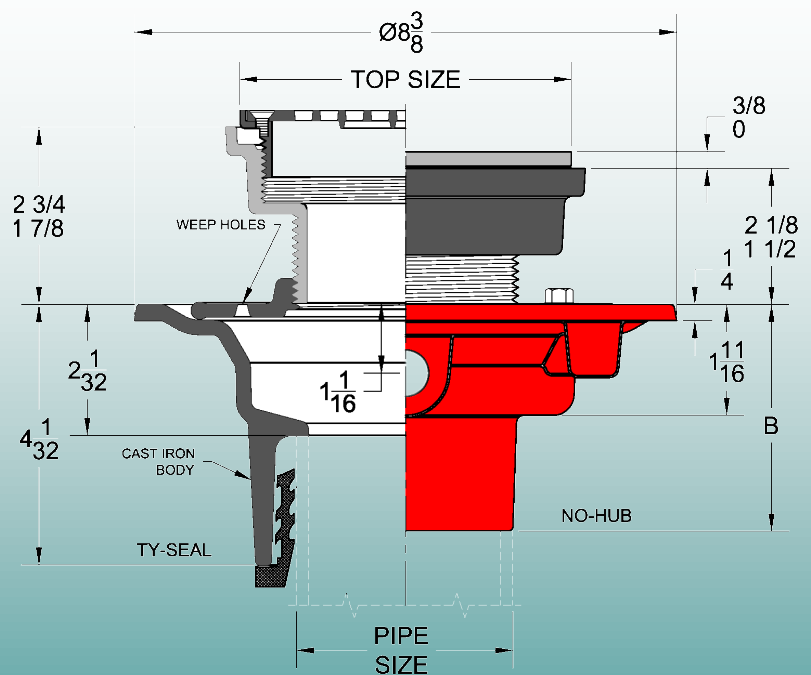
TOP SIZE
✓ 5" (125)
6" (150)

Material Specifications

High strength fiber reinforced nylon threaded shank.

ABS plastic debris cover.

Satin nickel bronze or chrome plated bronze, slotted grate.



OUTLET	NO-HUB	INSIDE CAULK	THREADED
B	3 1/2	4 1/4	2 3/4

