

Deck Installation Assembly

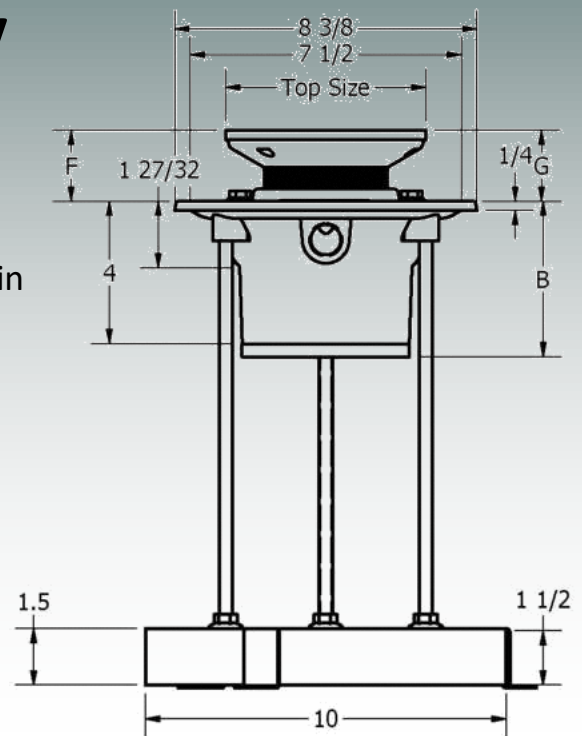
Labor & Material Savings:

Rigid stability. The WADE deck installation assembly stabilizes & prevents misalignment or tilting of the drain body during & prior to pouring concrete.

Variable height & level adjustments.

Easy access to waste piping connection.

Universal design accommodates 1000, 1100, 1300,1310, 1317, 1340, 2100, 2110, 2140, 6000, & 8050 series drains & cleanouts in pipe sizes 2",3", & 4".



1100-A-DIA (pictured)

Material Specifications

16 gauge galvanized steel cap & fasteners.

Polystyrene base.

Assembly includes 3/8" X 12" all thread rod & flanged lock nuts.

Specify suffix -DIA when ordering compatible drains & cleanouts.

